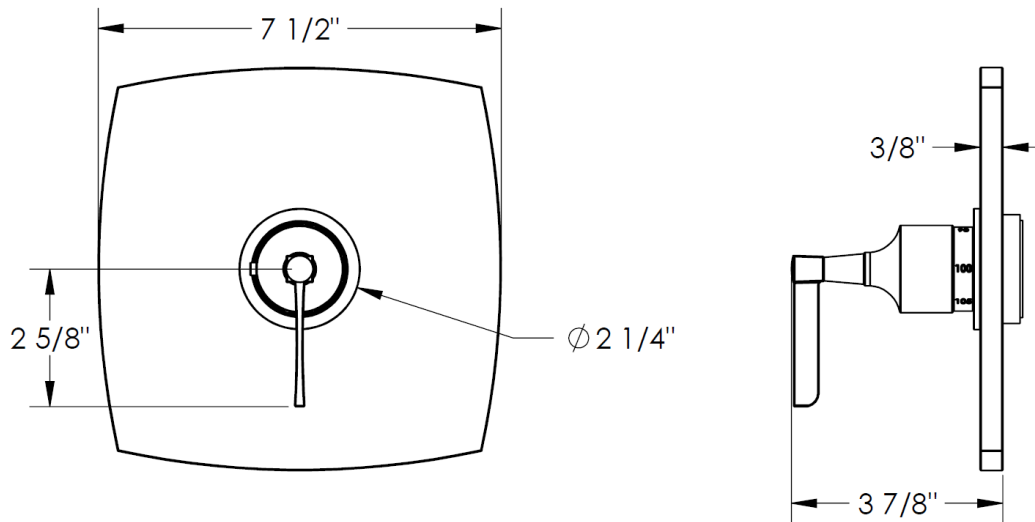
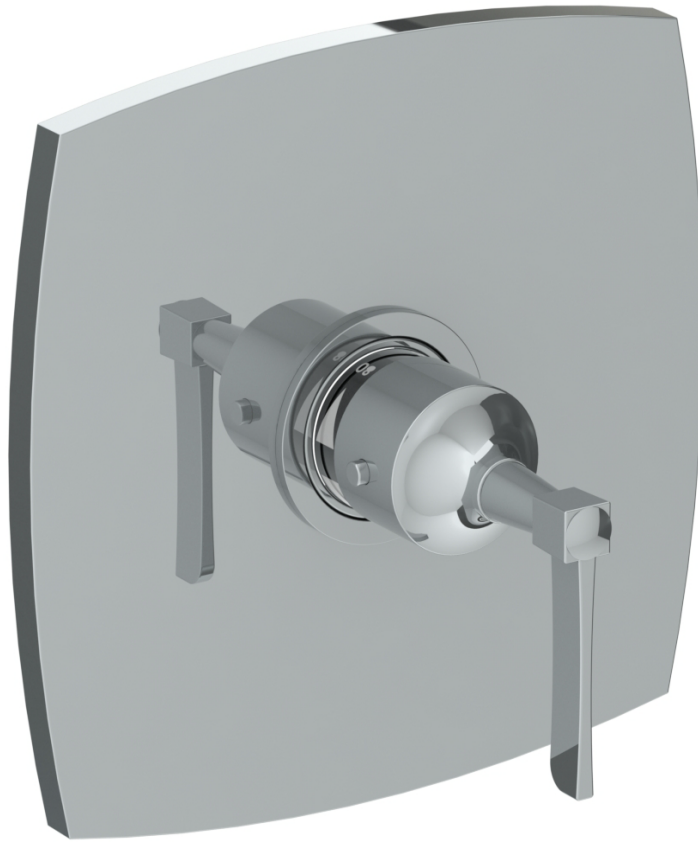


**115-THRMKT10-MZ4**

Trim Kit Only for Thermostatic Valve



Meets the applicable requirements of ASME A112.18.1-2005/CSA B125.1-05, entitled "Plumbing Supply Fittings"

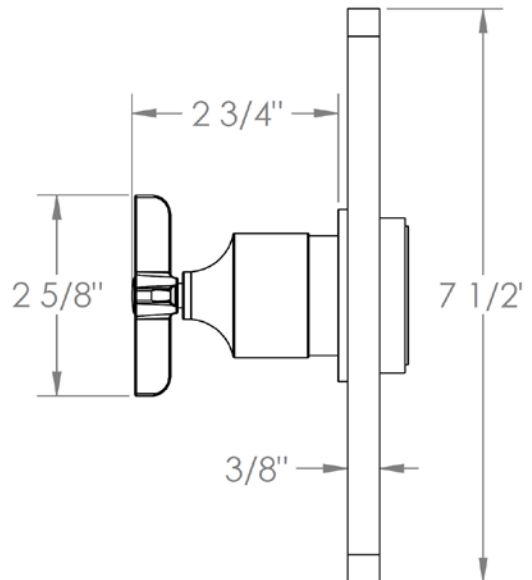
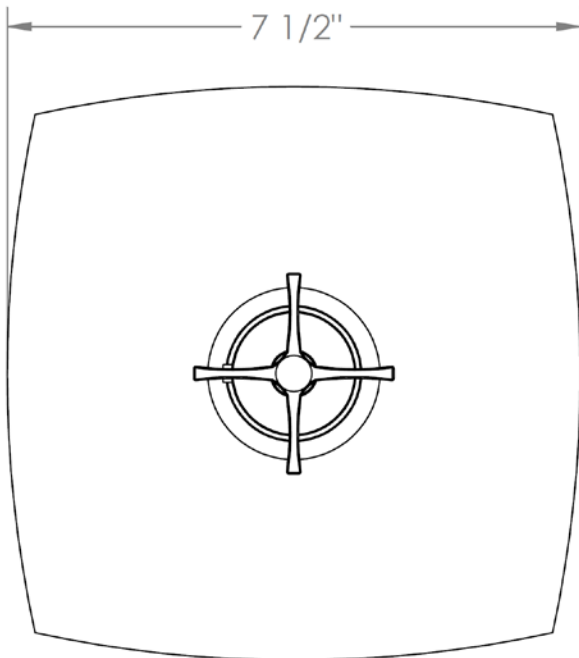
**WATERMARK DESIGNS 7/21/2014**

350 Dewitt Ave Brooklyn NY 11207 USA T 718 257 2800 F 718 257 2144 info@watermark-designs.com

**115-T10-MZ5**

Trim Kit Only for Thermostatic Valve

For use with SS-TH1000 or SS-Th3000 thermostatic roughs



**WATERMARK DESIGNS 3/9/2018**